



Test and Check Kit



Includes

DL579 600A True-RMS Dual Display HVAC/R Clamp Meter w/ Temperature & Capacitance

- TRMS
- 750/1000V AC/DC, 600A AC/DC
- AC/DC Microamps
- Dual Display
- Low Z (impedance)

CD100A Combustible Leak Detector

- Senses leading combustible, noncombustible and toxic gases
- Minimum detection 50 ppm methane

EM152 Differential Manometer

- Measures Pressure ± 60 inWC

PDT550 Digital NSF Waterproof Thermometer

- Temperature range: -58° to 572°F (-50° to 300°C)

AC73 Carrying Case

- Shoulder strap and pockets for documents and accessories.

TACK Kits - Plumbing

A. Clamp Pipe Adapter Uses

For commercial application - Being able to tell the temperature of water inside a pipe. Checking/verifying the reading on a mechanical temperature gauge to see if it's accurate. Also checking temperatures in pipes in general.

B. Combustible Leak Detector Uses

New install checking gas connections, repair work and finding gas leaks

C. Manometer Uses

With gas Water Heaters. The first question asked when calling service is what is static pressure (Pressure while not running). Second is dynamic pressure (pressure while operating). If static is to low, it's a problem. If difference between static and dynamic is to great of a water column/water gauge pressure drop. That is also a problem.

D. Clamp Meter Uses

Checking line voltage (garbage disposal, Tankless water heater, dishwashers (Do I have 110 or 220V power)

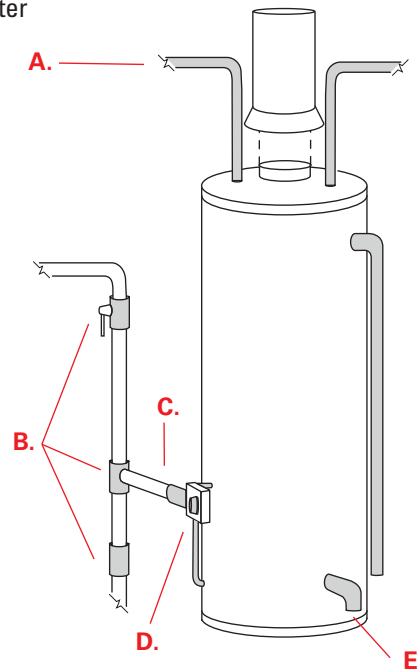
Checking low voltage (gas valve, any type milliampmicroamp application)

Checking continuity: A prover switch on a commercial Water Heaters. High limit switch on a Tankless water heater, fusible link on a Tankless water heater or checking if circuits are open or closed.

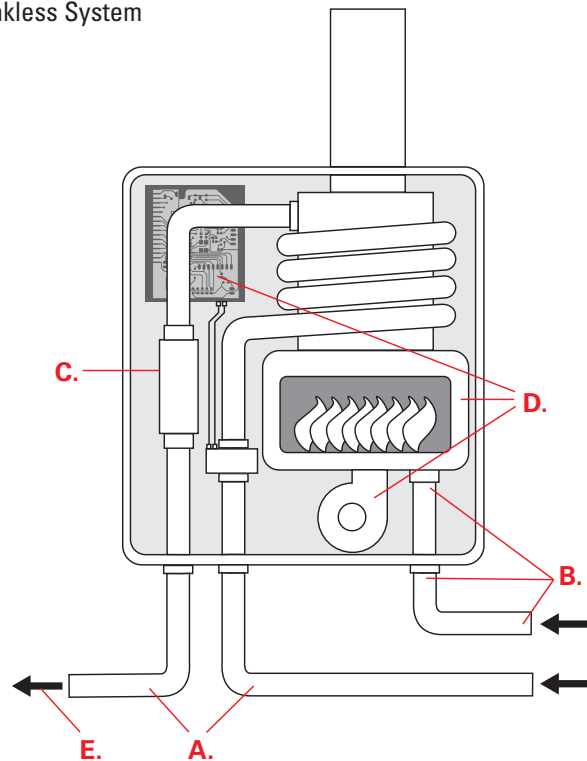
E. Thermometer Uses

Water proof. When setting a mixing valve. You go to the closest hot water outlet. Put the thermometer in the water stream and set the mixing valve correctly. Probably 120 degrees. Same thing when setting shower valves. Water proof because you put in water stream. Any general use where water temperature needs to be measured.

Water Heater



Tankless System





DL579

AC Amps Measurement - Jaw input

Range	Resolution	Accuracy	Overload Protection
60.00A	0.01A	±2.0% + 8dgts	600V RMS
600.0A	0.1A		

45Hz to 400Hz True RMS
Minimum Current for Clamp Measurement: 0.3A

DC Microamps Measurement -Test lead input

Range	Resolution	Accuracy	Overload Protection
600.0µA	0.1µA	±1.2% + 3dgts	600V RMS
2000µA	1µA		

AC Microamps Measurement -Test lead input

Range	Resolution	Accuracy	Overload Protection
600.0µA	0.1µA	±2.0% + 5dgts	600V RMS
2000µA	1µA	±1.5% + 5dgts	

45Hz to 400Hz True RMS

DC Volts Measurement

Range	Resolution	Accuracy	Overload Protection
600.0mV	0.1mV	±0.5% + 4dgts	1000V RMS
6.000V	0.001V		
60.00V	0.01V		
600.0V	0.1V	±0.8% + 10dgts	
1000V	1V		

AC Volts Measurement

Range	Resolution	Accuracy	Overload Protection
600.0mV	0.1mV	±2.0% + 5dgts	750V RMS
6.000V	0.001V		
60.00V	0.01V		
600.0V	0.1V		
750V	1V		

45Hz to 400Hz True RMS

Ohms Measurement

Range	Resolution	Accuracy	Overload Protection
600.0Ω	0.1Ω	±1.0% + 4dgts	600V RMS
6.000kΩ	0.001kΩ		
60.00kΩ	0.01kΩ		
600.0kΩ	0.1kΩ		
6.000MΩ	0.001MΩ		
60.00MΩ	0.01MΩ	±2.0% + 4dgts	

Diode Test

Range	Open Circuit Voltage	Test Current (Typical)	Overload Protection
6.0V	< 3.0V DC	0.25mA	600V RMS

Capacitance Measurement

Range	Resolution	Accuracy	Overload Protection
60.00nF	0.01nF	3.5% + 6dgts	600V RMS
600.0nF	0.1nF		
6.000µF	0.001µF		
60.00µF	0.01µF		
600.0µF	0.1µF		
6000µF	1µF		

Temperature Measurement

Range	Resolution	Accuracy	Overload Protection
-328°F to 999°F (-200°C to 999°C)	0.1°F (0.1°C)	±(1.0% + 3.6°F) ±(1.0% + 2.0°C)	30V RMS
1000°F to 2462°F (1000°C to 1350°C)	1°F (1°C)	±(1.0% + 3°F) ±(1.0% + 2°C)	

Sensor: "K" Type Thermocouple, sensor accuracy not included

Frequency Measurement - Test lead input

Range	Resolution	Accuracy	Overload Protection
99.99Hz	0.01Hz	0.1% + 4dgts	1000V RMS
999.9Hz	0.1Hz		
9.999kHz	0.001kHz		
99.99kHz	0.01kHz		

Minimum Frequency: 0.5Hz, DC V offset should be zero
Sensitivity: > 10% of each AC volt range except 4V (>20%) range only

Duty(%) Cycle Measurement

Range	Accuracy	Overload Protection
1.0 to 99.0%	±(0.2% per kHz + 0.1% + 5 dgts)	1000V RMS

Audible Continuity Measurement

Open circuit voltage < 0.64V	Overload Protection
Threshold Approx : < 40Ω	600V RMS



CD100A

Sensitivity	50 ppm
Tic adjustment	Fully adjustable thumbwheel
Tic indication	Flashing LED
Battery	9 volt alkaline, 5 hours typical use
Sensor	Solid state semiconductor
Dimensions	8" x 4" x 1-1/2"
Weight	15 oz.

EM152

Unit of Measure	Range	Resolution	Accuracy (77 °F)
bar	± 0.200	0.001	± 0.5% Full Scale Output
oz per in ²	± 46.60	0.01	
psi	± 2.900	0.001	
inHg	± 5.904	0.001	
mBar	± 200.0	0.1	
mmHg	± 150.0	0.1	
kPa	± 20.00	0.01	
Kg per Sq. cm	± 0.204	0.001	
InH ₂ O	± 60	0.01	
FtH ₂ O	± 6.689	0.001	
cmH ₂ O	± 203.9	0.1	

PDT550

Temperature Range	-58° to 572°F (-50 to +300°C)
Accuracy	+/- 1.8°F or +/- 1°C in the range of -22 to 302°F/ -30 to 150°C otherwise +/-4°F or +/-2°C
Resolution	0.1° to 19.9° ~ +199.9° otherwise 1°
Update Rate	Approximately 1 second
Auto Power Off	Approximately 1 hour
Certification	CE and NSF listed
Battery	UEi # AB13 (SR44W)

Downloads



Data Sheet



TACK15